

## AXIS DUAL MOBILE PLASMA DISPLAY STAND WITH CABINET

Designed to hold two plasma screens, Gilkon's Axis Dual Mobile Plasma Stand with Cabinet is ideal for **Video Conferencing** or any situation where a dual screen system is required. This unit will accommodate displays up to 120 kg combined.

Column has cable management. Includes brackets for plasma screens. Brackets can be secured with keyed push button locks to deter theft. Silver pearl finish. Lockable accessory cabinet to hold VCR, DVD and related equipment is included. Covers for cable access holes are supplied. Unique base design allows movement through doorways.

Made by Gilkon in Australia.



DUAL PLASMA DISPLAY FLOOR STAND	
Total Weight Capacity	120 Kg
Suitable for Screens	42"
Floor to Midpoint of Display	1250 mm
Keyed Locks Included	
Code	8FSM AXIS IV
Other sizes available on request	



Distributed By:

**Wilson**  
**Gilkes**

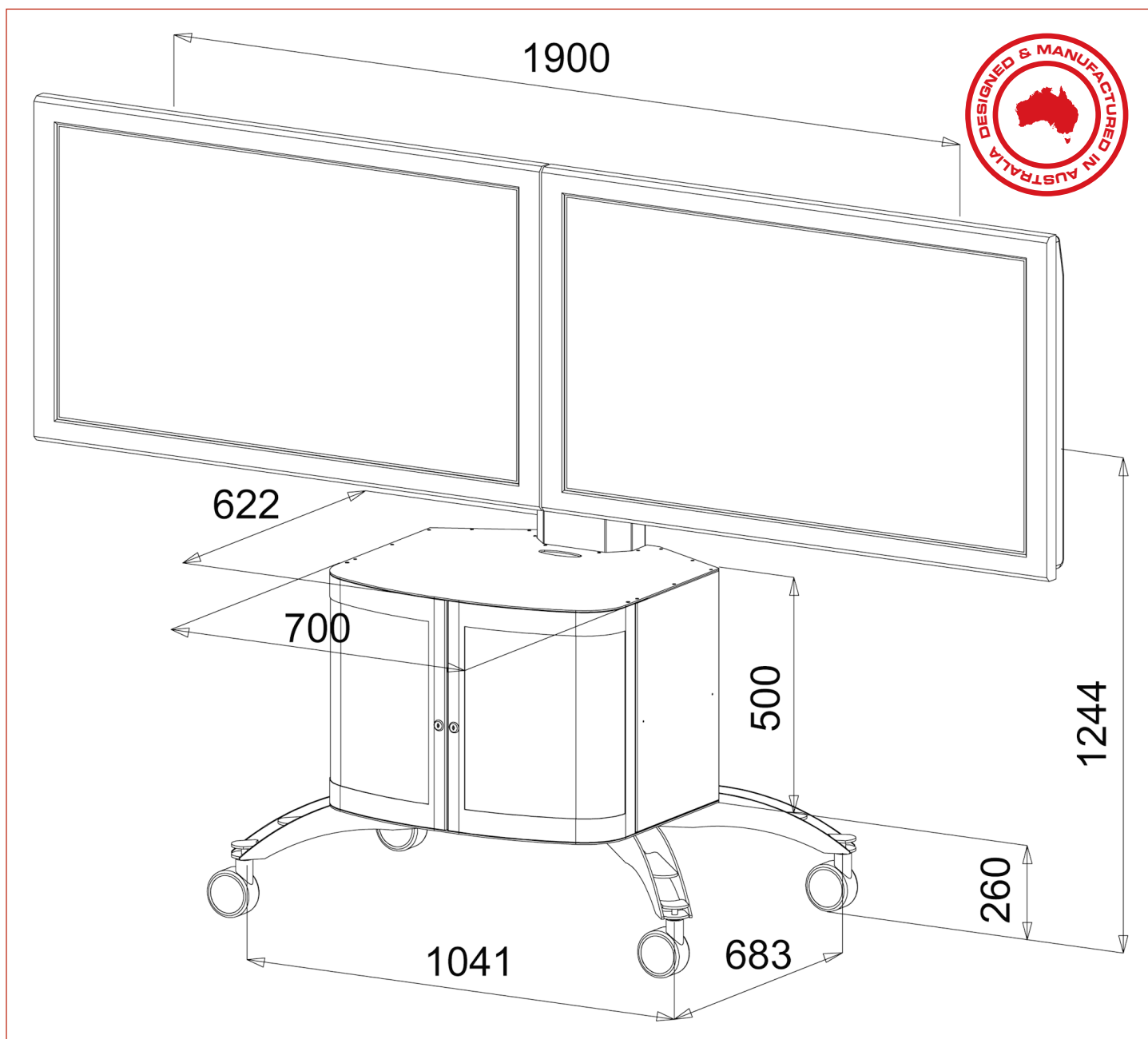
P.O. Box 63,  
Moorebank NSW 1875  
337 - 349 Newbridge Road,  
Moorebank NSW 2170

**Web Site: [www.gilkon.com.au](http://www.gilkon.com.au)**

**Phone: (02) 9914 0900**  
**Fax: (02) 9914 0901**  
**Int. Fax: 61-2-9914 0901**  
**Email: [sales@gilkon.com.au](mailto:sales@gilkon.com.au)**

March, 2006

## AXIS DUAL MOBILE PLASMA DISPLAY STAND WITH CABINET



Distributed By:

**Wilson**  
**Gilkes**

P.O. Box 63,  
Moorebank NSW 1875  
337 - 349 Newbridge Road,  
Moorebank NSW 2170

**Web Site: [www.gilkon.com.au](http://www.gilkon.com.au)**

**Phone: (02) 9914 0900**  
**Fax: (02) 9914 0901**  
**Int. Fax: 61-2-9914 0901**  
**Email: [sales@gilkon.com.au](mailto:sales@gilkon.com.au)**

March, 2006